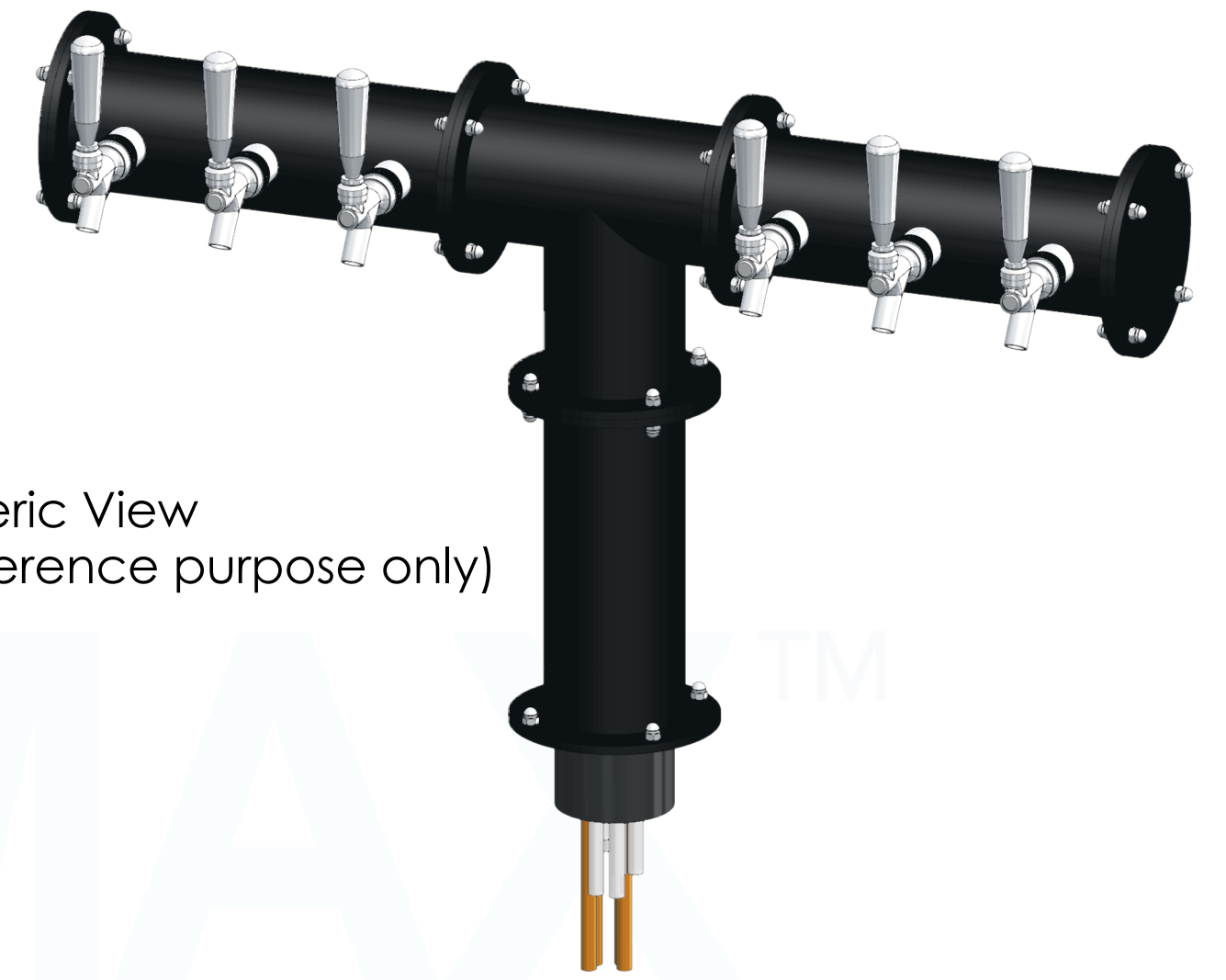
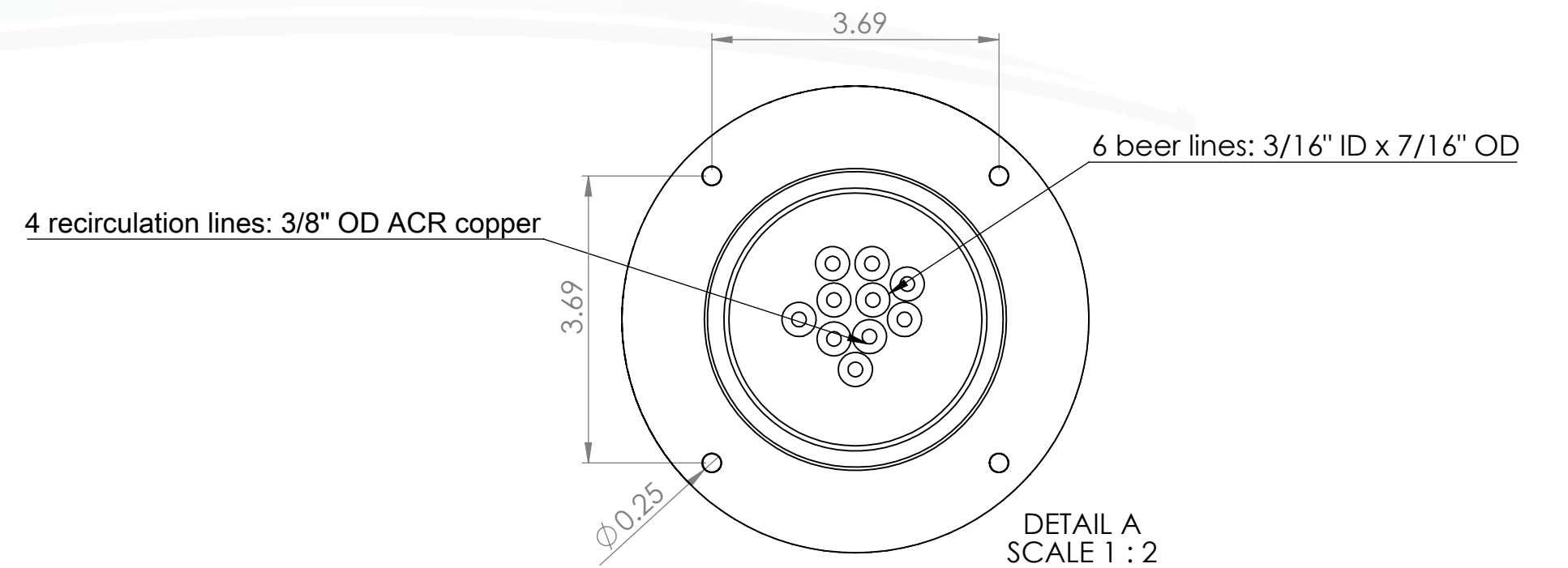


304SS tube connected to CBS NSF Flexible Total Barrier Tubing to 15lbs of Restriction



Isometric View
(For reference purpose only)



Suggested Drip Tray:
 BB701330 - 30" x 7" BSS Drip Tray
 BB702430 - 30" x 7" BSS Spray Drip Tray



Name		Date		Title:	
Drawn By:	Chillmax Beveages Solutions,LLC	11/21/2024		6T(4"OC) MATTE BLACK CONDOR "T" CH-MX CLD	
Approved By:	Production Manager				
Material:	304 SS	Finish:	MATTE BLACK		
Unless otherwise mentioned, dimensions are inches.				Part Number:	Revision:
				BB102610-MB-06GC	
				Scale:	1:5